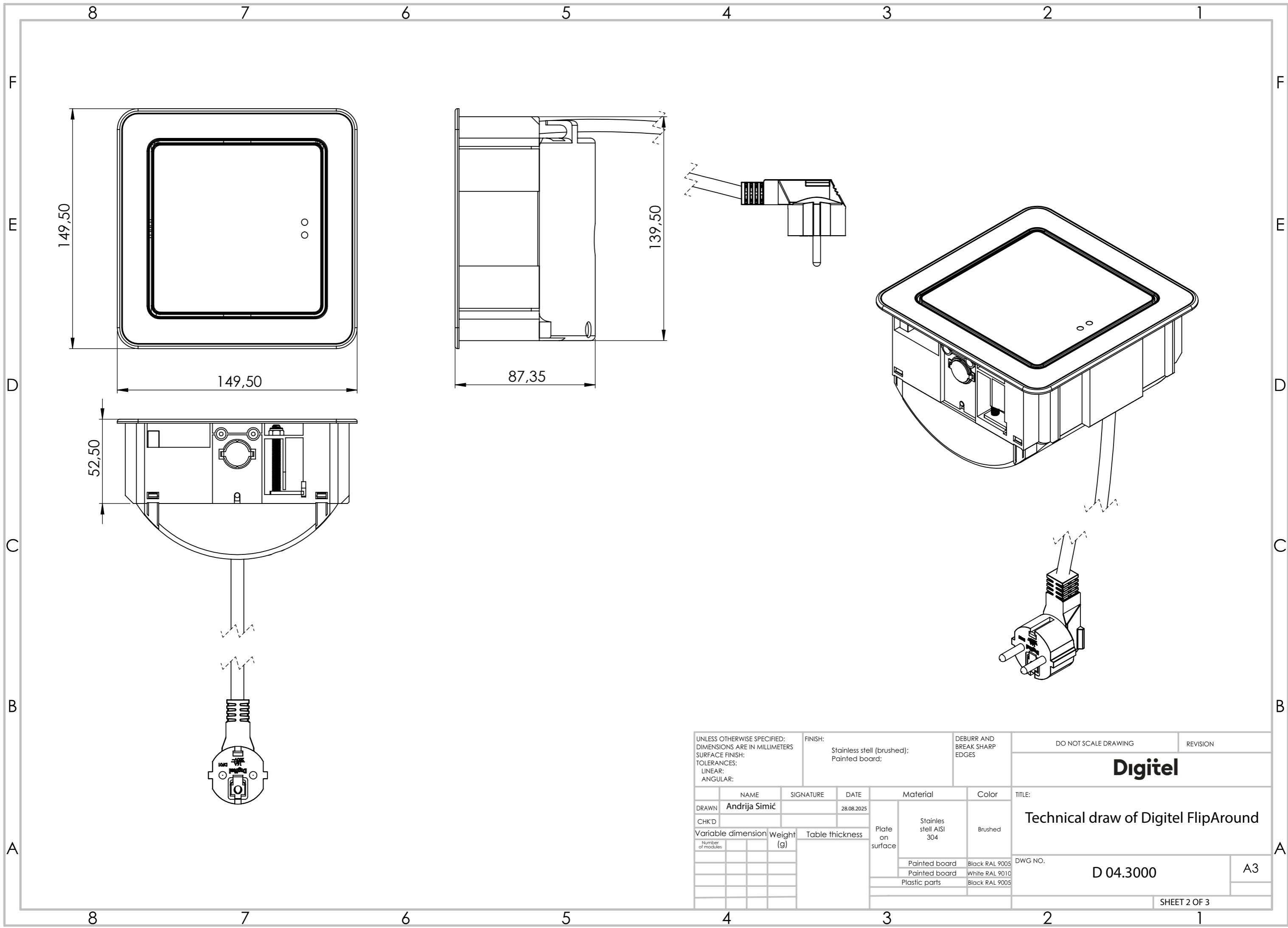


UNLESS OTHERWISE SPECIFIED: DIMENSIONS ARE IN MILLIMETERS SURFACE FINISH: TOLERANCES: LINEAR: ANGULAR:			FINISH: Stainless stell (brushed); Painted board;		DEBURR AND BREAK SHARP EDGES		DO NOT SCALE DRAWING		REVISION						
							Digitel								
DRAWN Andrija Simić			SIGNATURE		DATE 28.08.2025		TITLE: Technical draw of Digitel FlipAround								
CHK'D		Variable dimension		Weight (g)		Table thickness		Plate on surface		Material		Color		DWG NO.	
										Stainles stell AISI 304		Brushed		D 04.3000	
										Painted board		Black RAL 9005		A3	
										Painted board		White RAL 9010			
										Plastic parts		Black RAL 9005			
												SHEET 1 OF 3			



UNLESS OTHERWISE SPECIFIED: DIMENSIONS ARE IN MILLIMETERS SURFACE FINISH: TOLERANCES: LINEAR: ANGULAR:			FINISH: Stainless stell (brushed); Painted board:		DEBURR AND BREAK SHARP EDGES		DO NOT SCALE DRAWING		REVISION			
							Digitel					
DRAWN Andrija Simić			SIGNATURE		DATE 28.08.2025		TITLE:		Technical draw of Digitel FlipAround			
CHK'D			Variable dimension		Weight (g)		Table thickness		Plate on surface		Material	
Number of modules									Stainles stell AISI 304		Color	
									Painted board		Brushed	
									Painted board		Black RAL 9005	
									Plastic parts		White RAL 9010	
											Black RAL 9005	
							DWG NO.		D 04.3000		A3	
							SHEET 2 OF 3					

