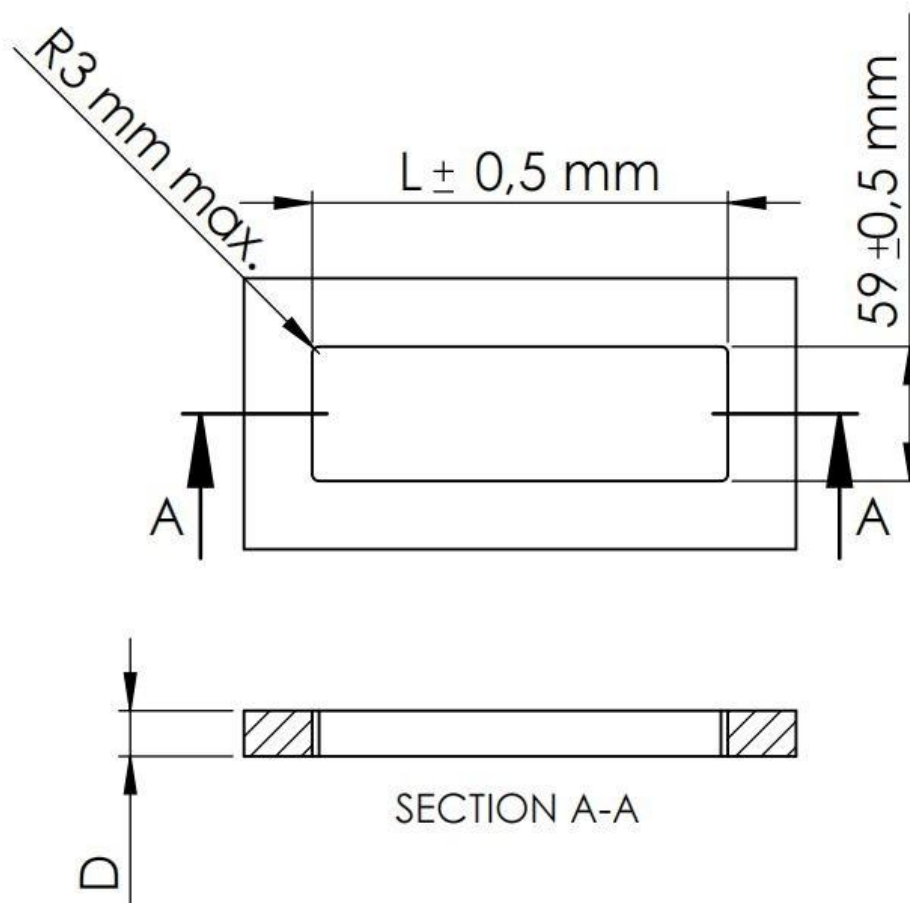


### SlimFrame 4



Number of modules	Installation dimension
	L (mm)
4	228
Table thickness	
Materials	D (mm)
Glass, metal, stone worktops...	3 - 10
Wood, plywood...	3 - ∞