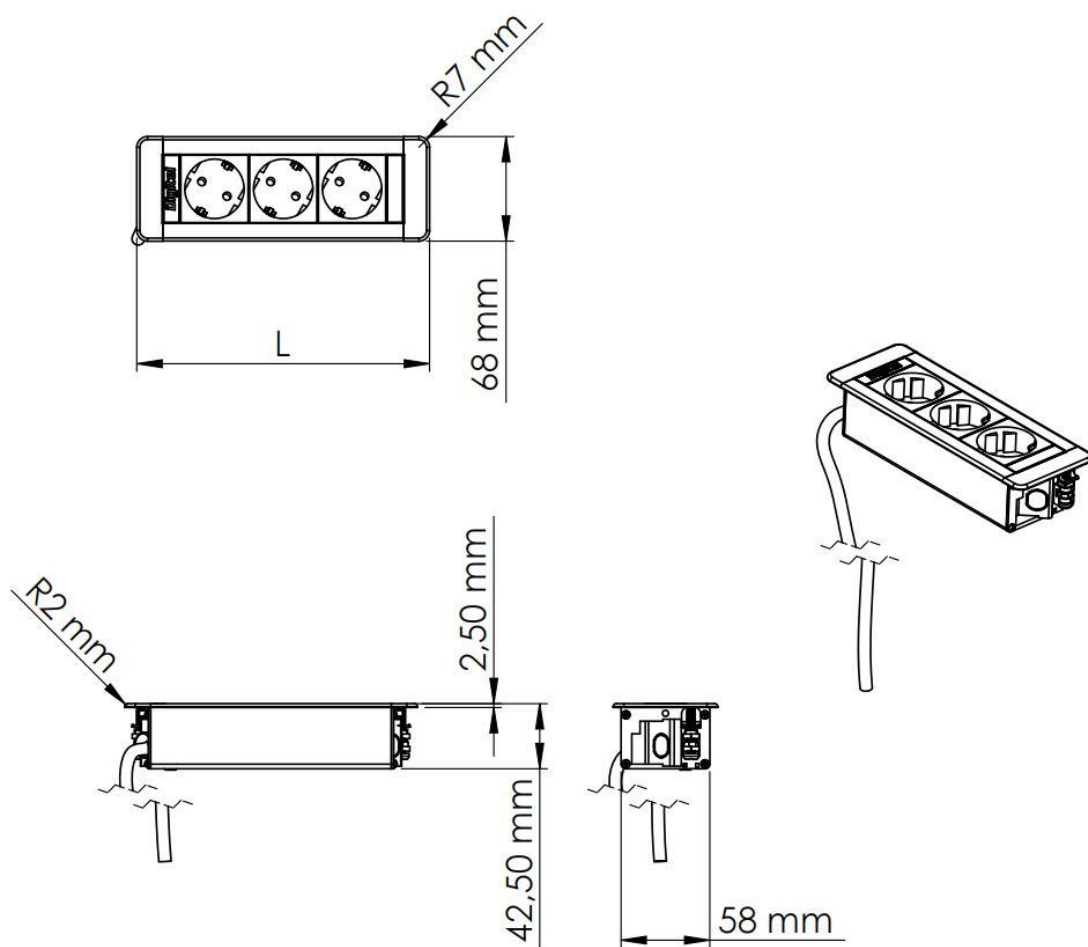


## SlimFrame 4



Number of modules	Devices dimension
	L (mm)
4	236,50