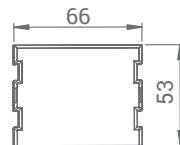
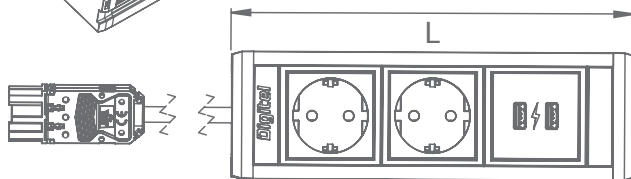
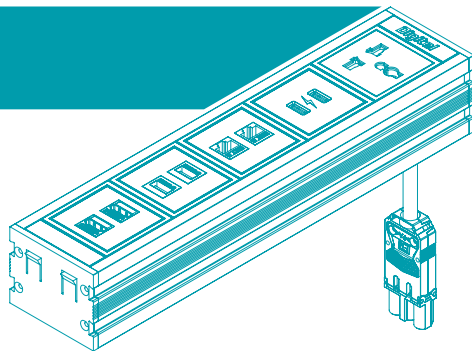
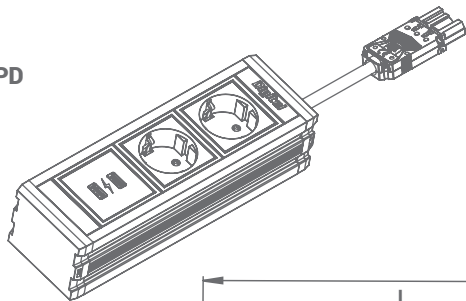
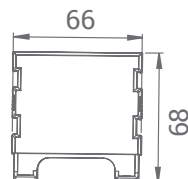
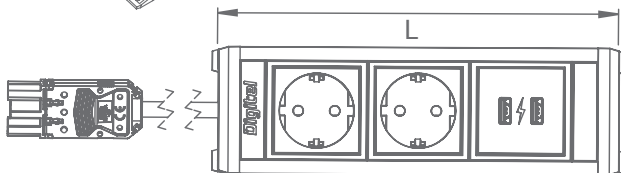
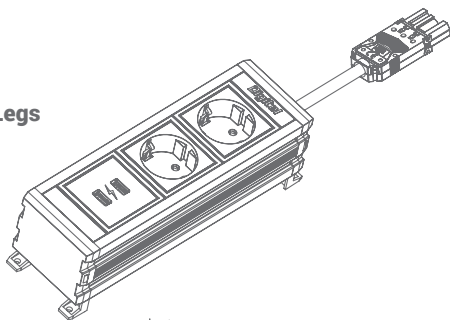


Dimension is changing
in a step of 53,2mm

UPD



UPD Legs



UPD base

