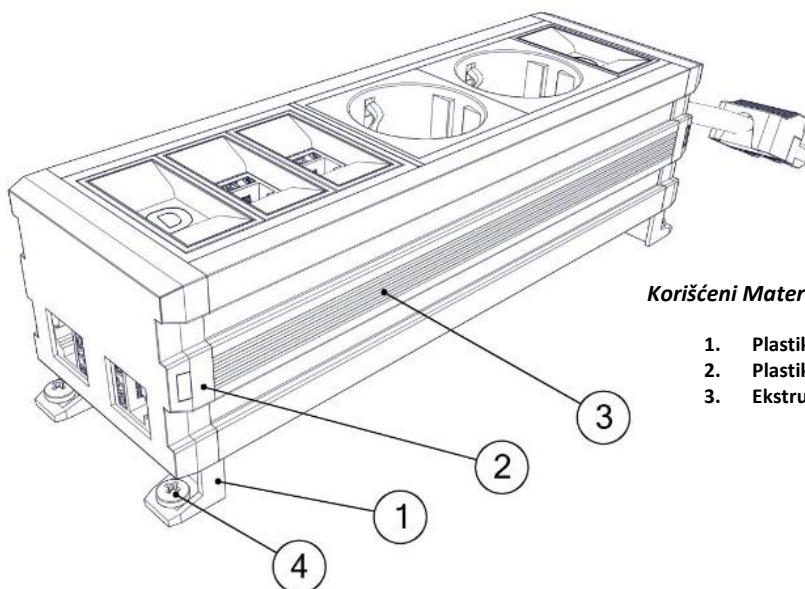
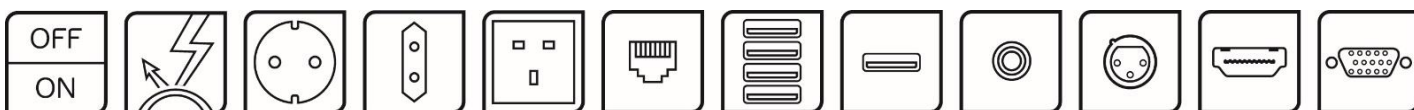


**Napon/Voltage:** 250V  
**Struja/Current:** 16A  
**Frekvencija/Frequency:** 50-60Hz  
**Temperatura/Temperature:** 0 – 40°C  
**Relativna vlažnost/Relative Humidity:** 0 - 95°C (ne kondenzujuća/non condensing)



#### Delovi / Parts

1. Podkapa za fiksiranje / Sub cap for fastening
2. Ukrasna Maska / grille
3. Telo / Body
4. Vijak za fiksiranje M3 / screw for fastening M3

#### Korišćeni Materijali / Materials Used

1. Plastika / plastika
2. Plastika / plastika
3. Ekstrudirani Aluminijumski Profil / Extruded Aluminium Profile

#### Boje / Colours

1. Električ siva / Electric grey
2. Crna / Black
3. Bela / White

Ovaj proizvod treba ugraditi u skladu sa priloženim uputstvom. Nemojte otvarati, demontirati, menjati ili modifikovati uređaj. Uređaj može otvarati i popravljati isključivo obučeno i ovlašćeno lice. Svako neovlašćeno otvaranje ili popravka dovodi do gubitka prava na zamenu ili do gubitka garancije. Prilikom korišćenja uređaja neophodno je poštovati generalne sigurnosne mere. Obzirom da sigurnosni zahtevi variraju, molimo Vas da proverite lokalne propise i njih se pridržavate. Bezbednost korišćenja uređaja je uslovljena i pravilno odrađenom električnom instalacijom u prostoru u kome se koristi./

This product should be installed in accordance with the attached instructions. Do not open, disassemble, or modify the device. The device can be opened and repaired by trained and authorized person. Any unauthorized opening or repair leads to the loss of the right to a replacement or void your warranty. When using the device it is necessary to respect general safety measures. Due to the fact that security requirements vary, please check local regulations and comply them. Safety usage of the device is conditioned by proper electrical installation in the space in which it is used.