

DIGItel
within easy reach

POP UP

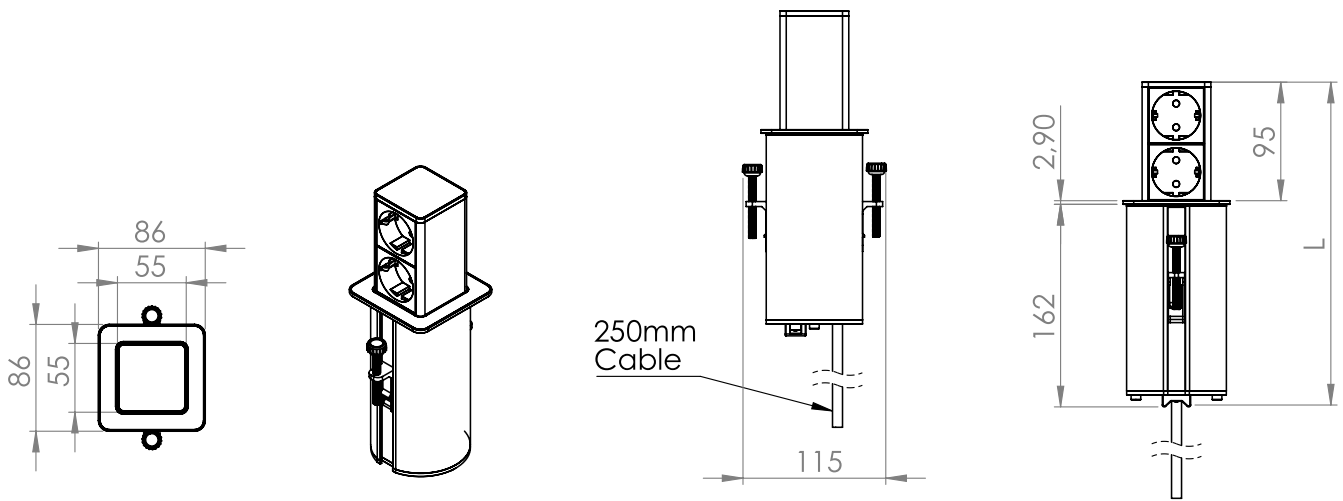
push and plug

www.digitel.rs



Pop Up holds minimum space on the work surface. It is very easy to fit in the standard hole with diameter of 80mm. Light push on the upper surface makes the mechanism automatically lift the device into working position. The housing made of finest aluminum and plastics can hold one or more power outlets, USB chargers, or RJ45 modules, upon users choice. With coverlid made of stainless steel, Pop Up is the ideal solution for kitchens.

www.digitel.rs



POWER CHARACTERISTICS:

Voltage: 250V
Amperage: 16A
Power connector: Cable HO5VV - F, 3x1,5mm²
 EPN 1104/EPN 1114 (Wieland m/f) -250mm
Frequency: 50-60Hz
Temperature: 0 – 40°C
Relative Humidity: 0 – 95°C (no condensing)
Protection: IP 44

MOUNTING

Mounting is achieved by snapping holders in the device slots, and then tightening with provided Alan key - it can accommodate a desk thickness of between 10mm and 50mm.

DIMENSION:

L = od 95 do 257mm

COLOR

Black
 White



Power outlet (Schuko) 45x45



Power outlet (IT)



Power outlet (UK) 45x45



USB charger 4A 2-ports



Power outlet (CH) 45x45



Power outlet (USA) 45x45



Power outlet (DK) 45x45



Power outlet Universal 45x45



Power outlet (FR) 45x45



RJ45 Cat6



Since 1996



2P	3P	4P	1P1USBC2	2P1USBC2
Type F / Schuko Type B / USA Type J / CH Type K / DM Type E / French Type G / UK	1 Type F / Schuko + 2 Type L / IT	Type L / IT	Type F / Schuko Type B / USA Type J / CH Type K / DM Type E / French Type G / UK	Type L / IT