

Designed for the work space, and conference and meeting rooms, but its minimalistic design and compact appearance enables its use in the lounge and living space. Device

contours can be adapted to furniture contours. Increases the level of efficiency and, productivity and orderliness in the work space.



### ADVANTAGES

- Small dimensions - high level of modularity
- Profile of device is less than 1.5mm
- Aluminium lid protects from dust, fluid and other external influences
- It can be installed into the desks of unlimited thickness
- Exchangeable communications modules

### POWER CHARACTERISTICS

- **Voltage:** 100-250 V max
- **Current:** 16 A max
- **Frequency:** 50-60 Hz
- **Temperature:** 0 – 40°C
- **Relative humidity:** 0 – 95 % (no condensing)
- **Protection:** IP 20
- **Power cable / connector:** cable HO5VV - F, 3x1,5mm<sup>2</sup> EPN 1104/EPN 1114 (Wieland m/f) – 400mm. For additional cables, (Table 5, page 56)

### COLOURS

Plastic parts

RAL 9010

RAL 9005

Aluminum

RAL 9010

RAL 9005

natural anodized aluminum

### RECOMMENDED MODULES

**RJ45**  
CAT 6 keystone F/F

**USB 3.0**  
keystone F/F

**HDMI**  
keystone F/F

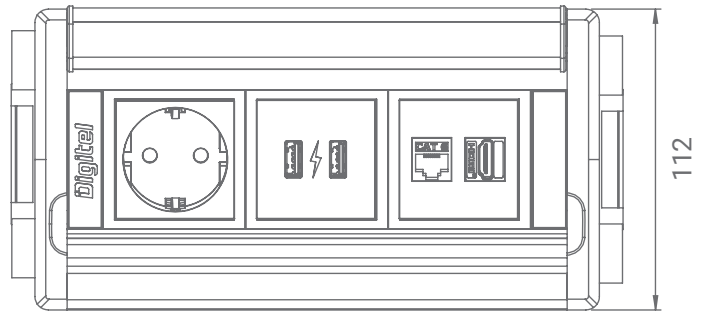
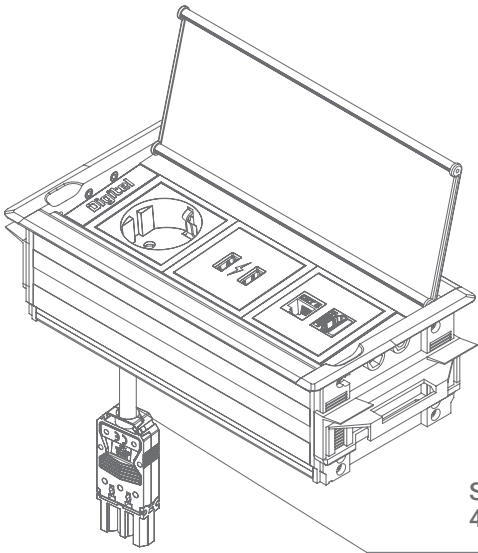
**VGA**  
panel mount F/F

**AUDIO**  
panel mount F/F

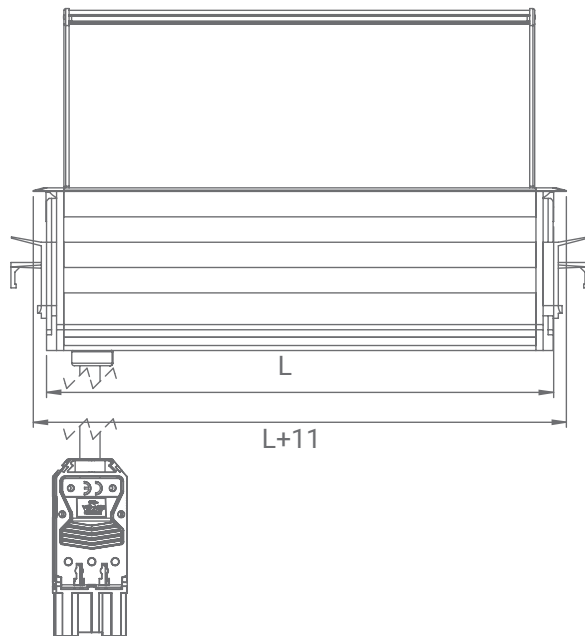
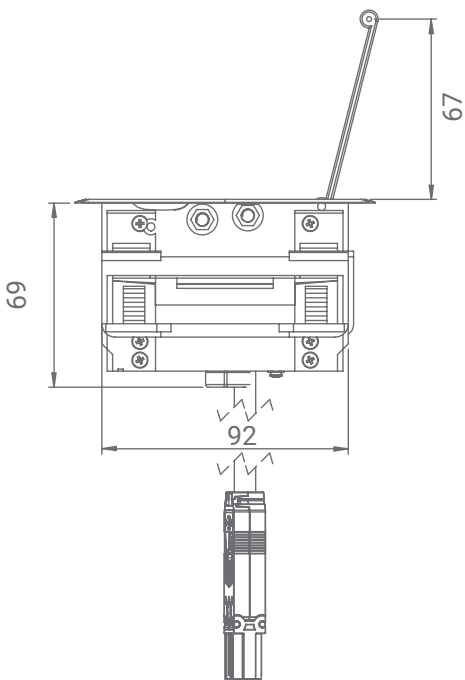
**DISPLAY PORT**  
panel mount F/F

By request: CH, DM, USA, FR, IT, GB - Multistandard power socket (Table 4 page 56), Red - Power supply from the aggregate, Green - Power supply from BACK UPS, USBCharger2, 5V, 4A, 2 ports

There is a possibility of making a device that will be used for redundant power supply (red and green socket) (table 4, page 56) or switch (table 6, page 56).



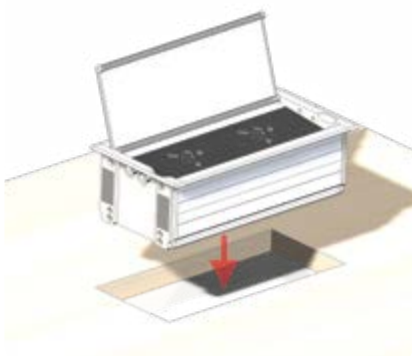
Standard cable length:  
400mm (with Wieland connector)



## MOUNTING

With integrated hidden screw – without limit. With the plastic fixator. Maximum desk thickness is 32mm.

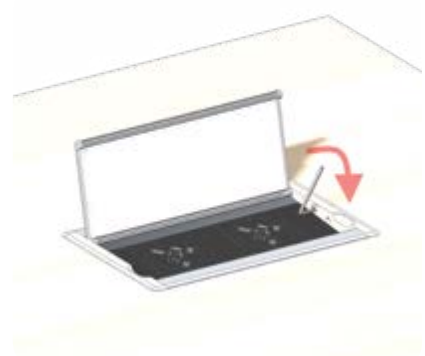
1



2



3



**P** Schuko power outlet (Type F)  
2 pins, grounded, 16 A (max), 240 V (max), grounded



**USB-C** USBCharger2,  
5 V, 2.4 A, 2 ports



**E** exchangeable communication  
module place