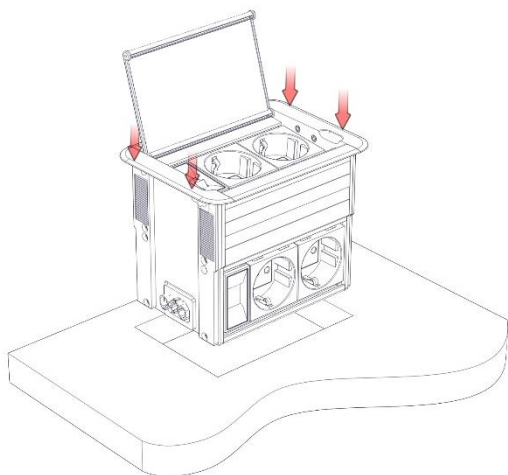
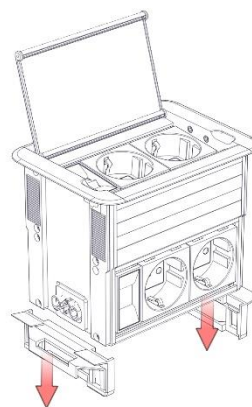
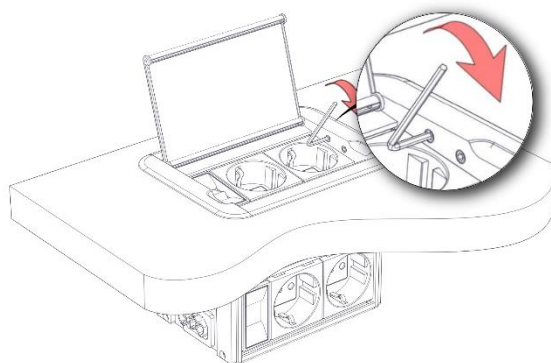


On the surface plate in which the device Kompakt is to be mounted, make a hole according to the dimensions given on the pack.

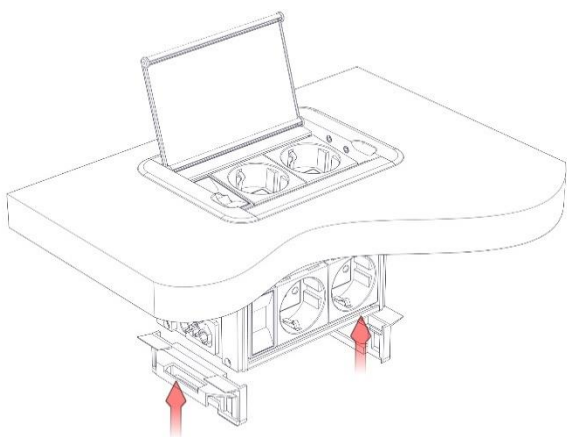
Remove fixators from the device by pulling them down.



Position the device in an opening hole and gently descend until the flange unit grabs the board table.



In case the table thickness is above 32mm, or you need additional fixing of the device, you can use set screws already placed in the side of the device. To do this use the hex key supplied within the package.



Put the fixators back on the device and push them strongly up to the plate of table.
Connect the device to low voltage network with a cable.