

FLIP UP

Push, plug & close

IN THE DESK

Recommended for:
Executive office, meeting &
conference rooms

Classy, with plenty of colors. Convenient, tidy, and highly accessible. Adoptable to any environment. Just push to open and get connected with style. Flip Up enriches every work space with its state of the art appearance, saves precious

time and makes successful people even more efficient at their work. Lid is closed while devices are connected, contributing to less visible cables, and helping professionals enjoy their daily office tasks.



Unique 1 for all surfaces

ADVANTAGES

- Simply push to open, plug and close to hide away
- Positioning of sockets provides high level of protection from dust and fluids
- Available in Digitel colors 2019
- Exchangeable communication modules

POWER CHARACTERISTICS

- **Voltage:** 100-250 V max
- **Current:** 16 A max
- **Frequency:** 50-60 Hz
- **Temperature:** 0 – 40°C
- **Relative humidity:** 0 – 95 % (no condensing)
- **Protection:** IP 20
- **Power cable / connector:** cable HO5VV - F, 3x1,5mm² EPN 1104/EPN 1114 (Wieland m/f) – 400mm. For additional cables, (Table 5, page 56)

COLOURS

Plastic parts

RAL 9005

Aluminum profile

RAL 9005

Top plate

RAL 9010

RAL 9005

digitel yellow

digitel pink

digitel green

digitel blue

digitel red

Brushed stainless steel

RECOMMENDED MODULES

RJ45
CAT 6 keystone F/F

USB 3.0
keystone F/F

HDMI
keystone F/F

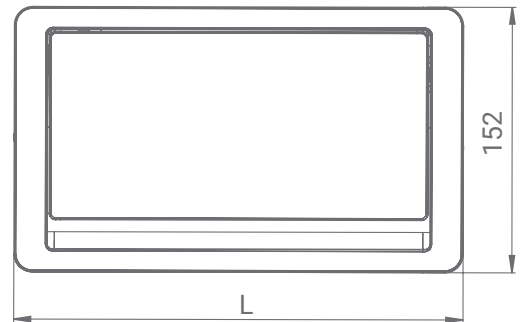
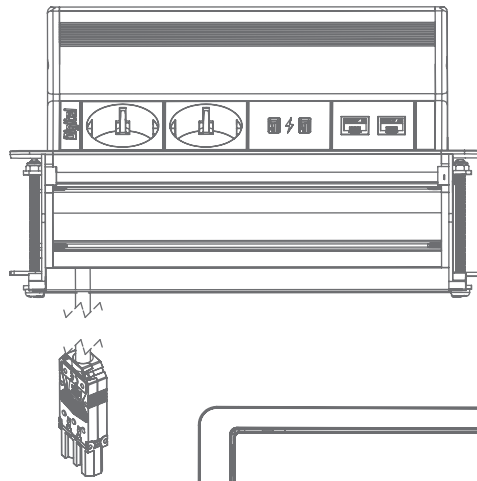
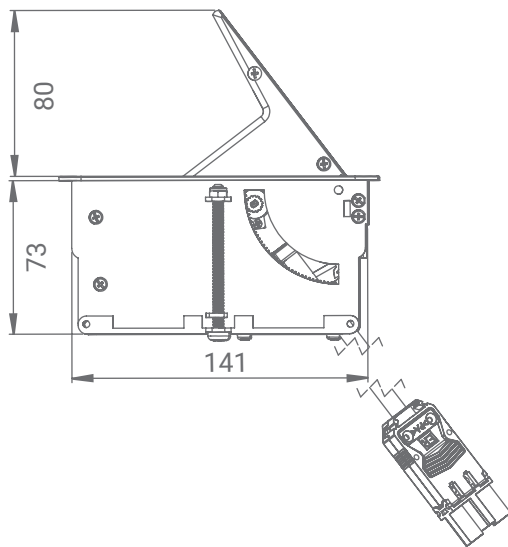
VGA
panel mount F/F

AUDIO
panel mount F/F

DISPLAY PORT
panel mount F/F

By request: CH, DM, USA, FR, IT, GB - Multistandard power socket (Table 4 page 56), Red - Power supply from the aggregate, Green - Power supply from BACK UPS, USBCharger2, 5V, 2.4A, 2 ports

There is a possibility of making a device that will be used for redundant power supply (red and green socket) (table 4, page 56) or switch (table 6, page 56).

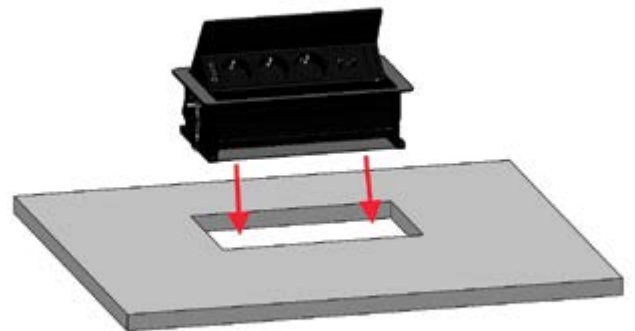


L: 211mm (3 working modules)
 256mm (4 working modules)
 301mm (5 working modules)

MOUNTING

1

Insert device in appropriate opening that you previously made.



2

Tighten two screws at the bottom of the device in counter-clockwise direction until holder plate reaches bottom surface of element in which device is installed.



3

When holder plate reaches bottom surface of element in which device is installed, tighten both screws with moderate force.

